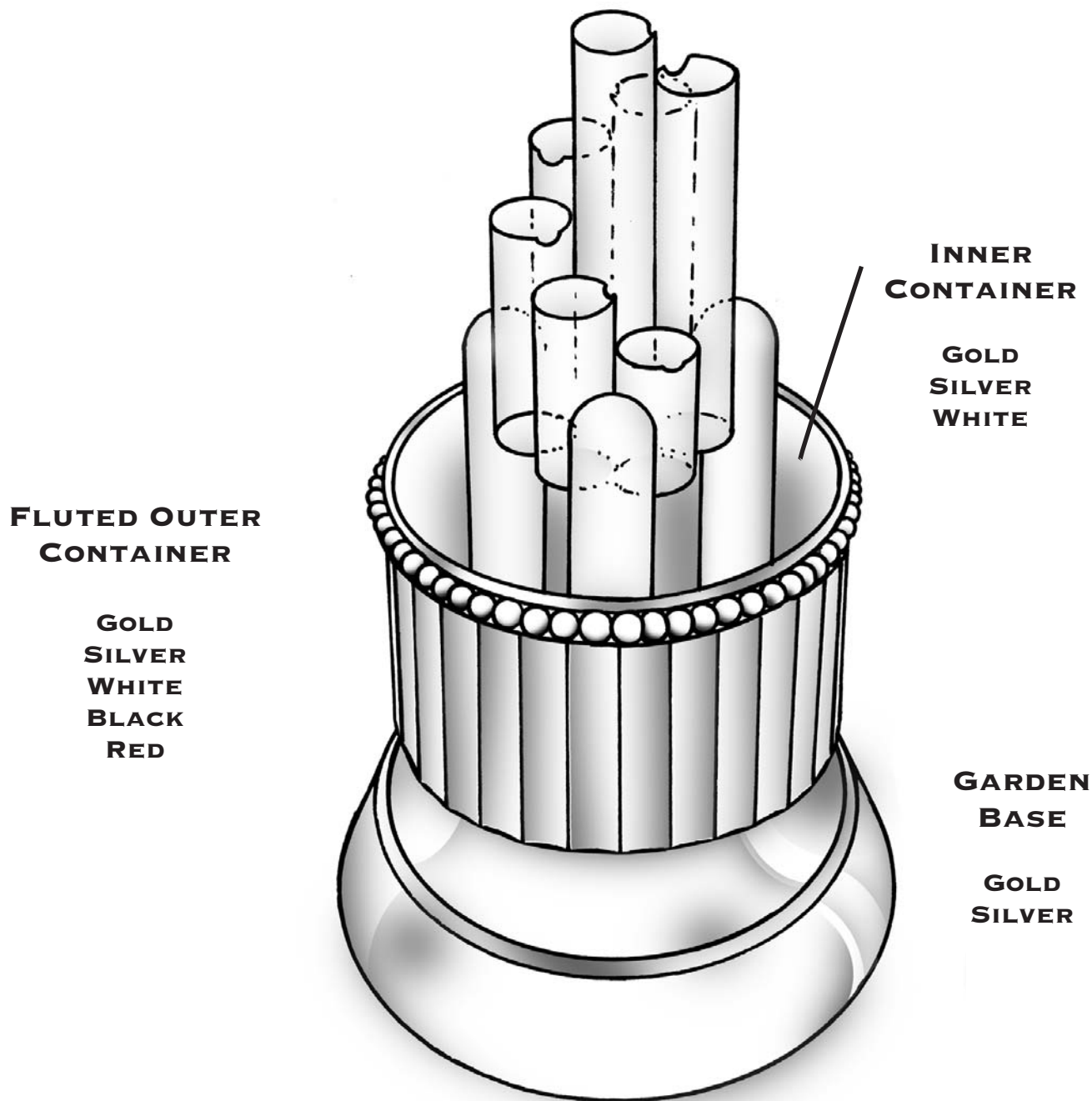


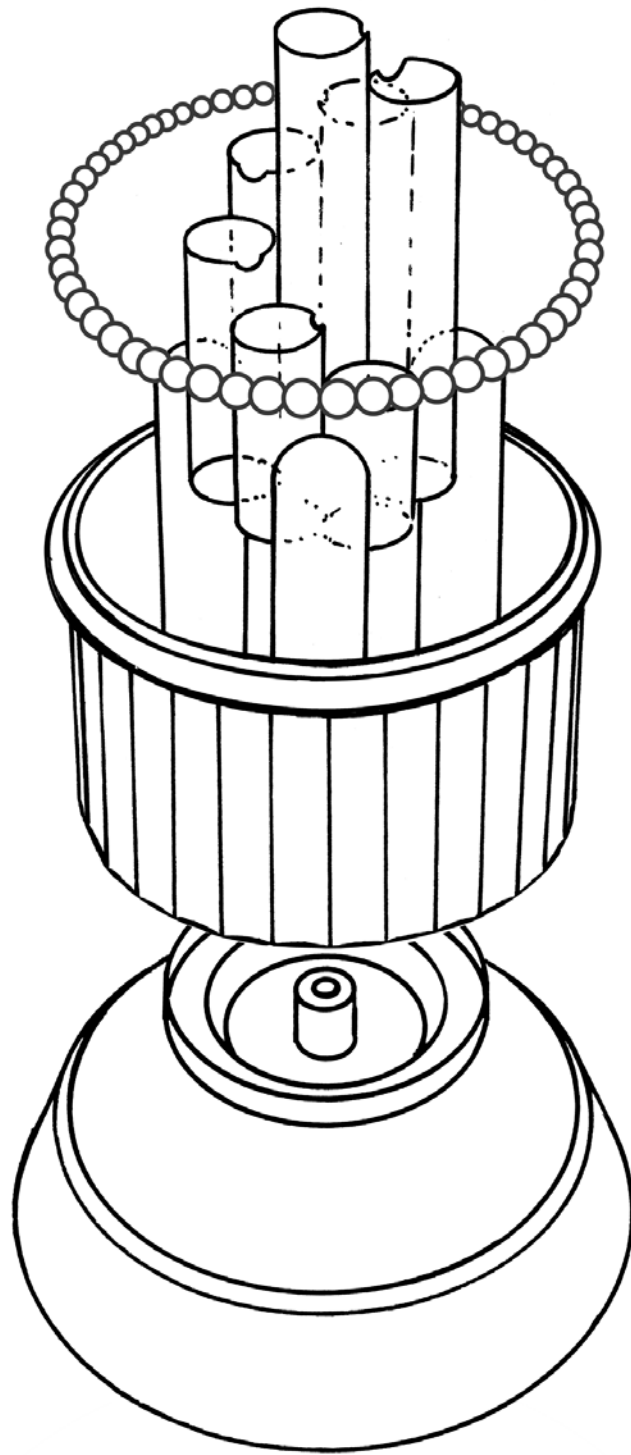
# THE WC UNIT WITH OPTION #2

## SIZE AND COLOR OPTIONS



**8" DIAMETER X 14" HIGH**

# THE WC UNIT WITH OPTION #2



**GARDEN BASE  
AVAILABLE  
IN  
GOLD AND  
SILVER**